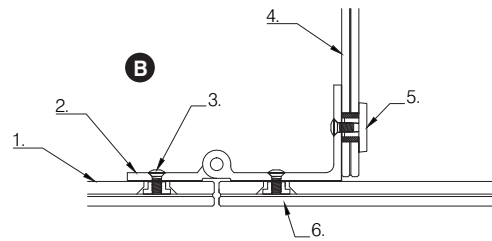


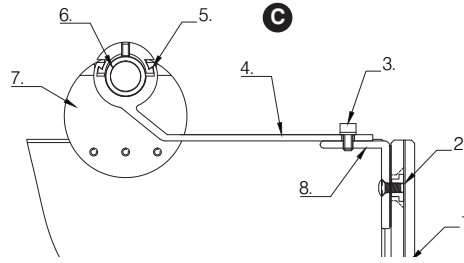
A Air Lock Detail

- 1 - 8 & 6mm T & L, low iron glass.
- 2 - Lock receiver (base).
- 3 - Lock receiver (adjustable).
- 4 - Lock finger.
- 5 - Lock housing
- 6 - Indicator face plate.
- 7 - Door stop plate C/W buffer.



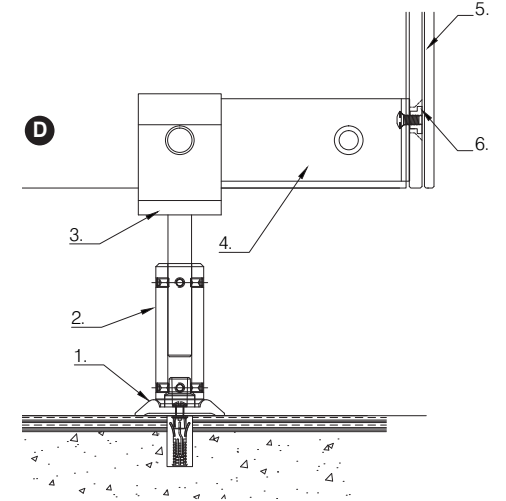
B Air Hinge Detail

- 1 - Pilaster - variable glass.
- 2 - Hinge.
- 3 - Screw.
- 4 - Divider.
- 5 - Rossette.
- 6 - Concealed rosette.



C Air Head Rail Section Detail

- 1 - Pilaster - Variable glass.
- 2 - Concealed rosette.
- 3 - Socket head screw.
- 4 - Door stop arm.
- 5 - Shock bracket.
- 6 - 'Puck' glass bracket.
- 7 - Stabilizing bar
- 8 - Rear panel bracket



D Air Foot Section Detail

- 1 - Ground rosette.
- 2 - Aluminium leg.
- 3 - Clamping bracket.
- 4 - Angle bracket.
- 5 - Pilaster - Variable glass.
- 6 - Concealed rosette.

AIR
Technical



Door Lock



Door Hinge



Head Rail



Foot

