

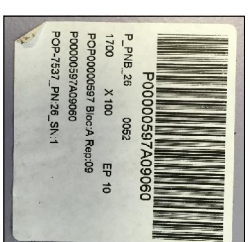
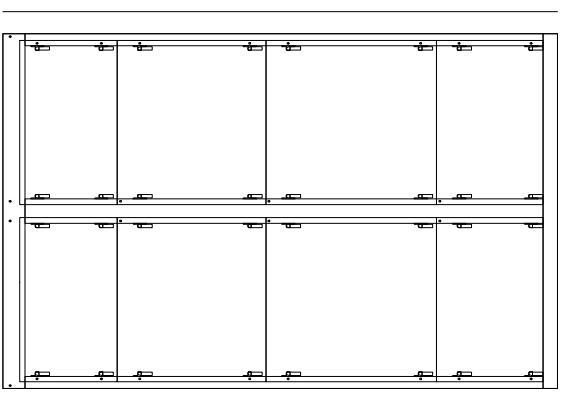
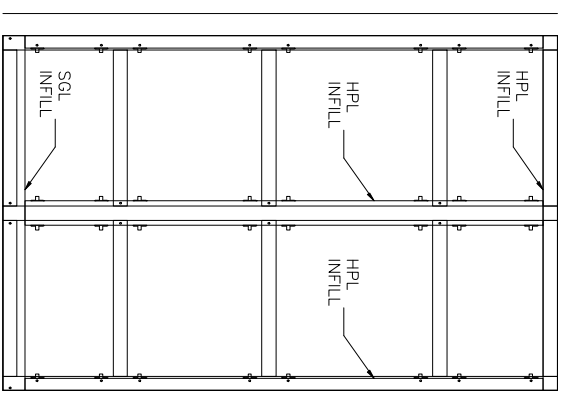
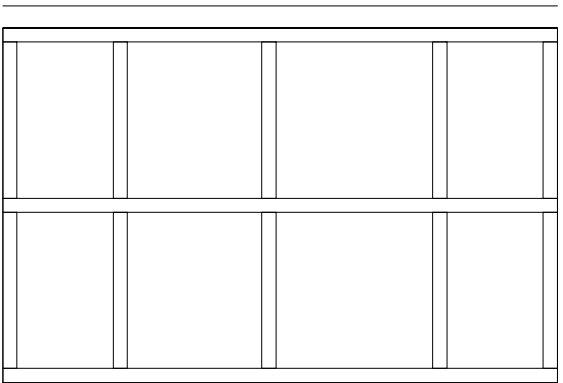
PN: = PANEL NUMBER
REFER TO PROJECT DRAWINGS. THIS STICKER WILL BE ON ALL 10mm PANELS FOR YOUR PROJECT

STAGE 3:-
ATTACH THE MALE PART CLIP ONTO THE ACCESS PANELS IN LINE WITH THE FEMALE PART.
CLIP THE MALE AND FEMALE PARTS TOGETHER

STAGE 2:-
SCREW FIX THE HPL/SGL INFILL PANELS TO THE TIMBER FRAME.
ATTACH THE FEMALE PART CLIP ONTO THE HPL INFILL PANELS.

IPS ACCESS PANELS
RECOMMENDED TIMBER FRAME
CONSTRUCTION DETAIL

STAGE 1:-
CONSTRUCT OR
UNPACK TIMBER
FRAME.

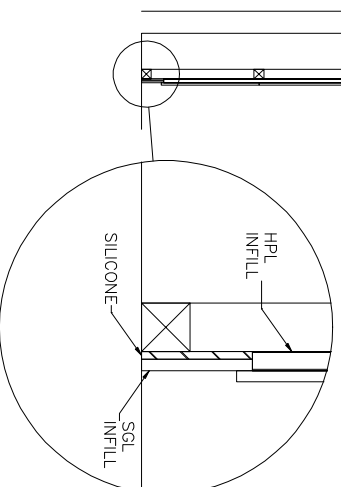
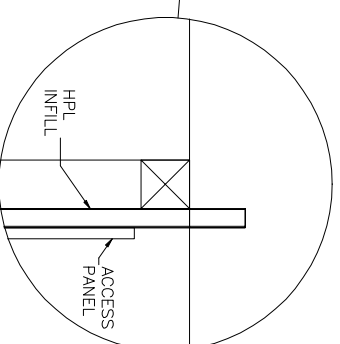
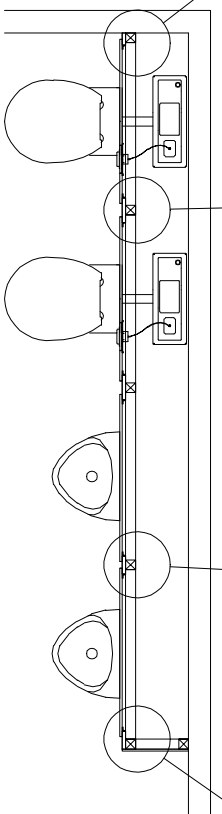
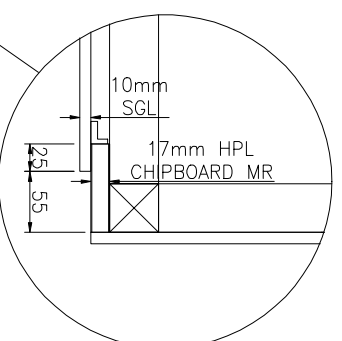
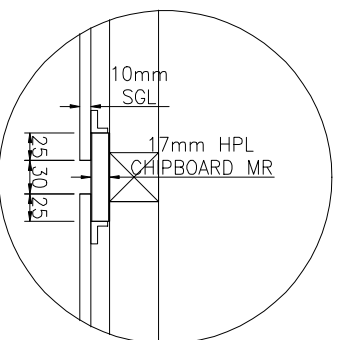
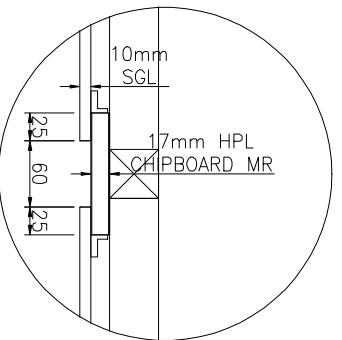
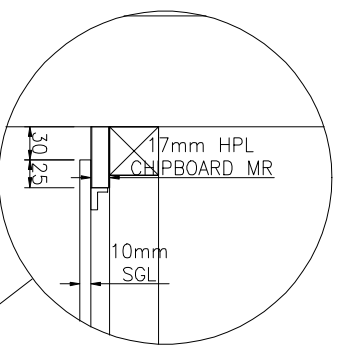


IPS TO:-
WALL

IPS TO:-
CUBICLE PARTITION

IPS TO:-
URINAL

IPS TO:-
RETURN



Approved for Manufacture :

Date :

Scale :

Drawn By :

Checked By :

Project Name :

IPS ACCESS PANEL INSTALLATION DETAILS

Drawing Title :

Scale :

Sheet No. : 1 of 1

Revision :

Contract No. :