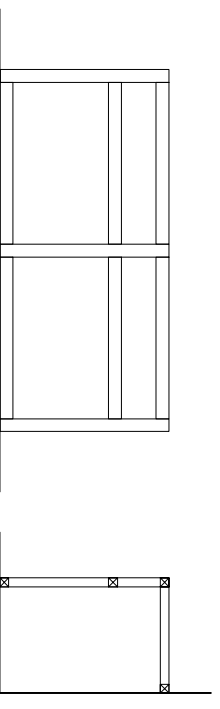


VANITY UNIT

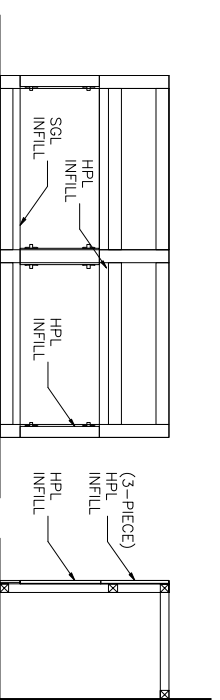
RECOMMENDED TIMBER FRAME
CONSTRUCTION DETAIL

PLEASE OPEN KIT 90.50.00070. THIS INCLUDES THE ITEMS NEED FOR ALL VANITY UNITS.

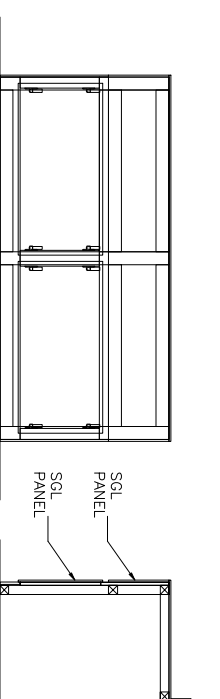
STAGE 1:-
CONSTRUCT OR
UNPACK TIMBER
FRAME.



STAGE 2:-
SCREW FIX THE HPL/SGL INFILL PANELS TO THE TIMBER
FRAME.
FOR THE 3-PIECE VANITY TOP THERE IS A WIDE HPL PIECE
THAT FIXES TO THE FRAME BEHIND THE SGL DOWN-STAND.

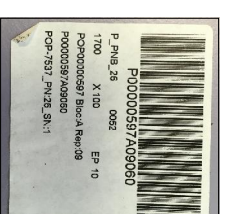


FOR THE POST-FORMED VANITY TOP THE VANITY TOP SITS ON
THE FRAME AND BUTTS UP TO THE HPL VERTICAL INFILLS.
ATTACH THE FEMALE PART CLIP ONTO THE HPL INFILL
PANELS.

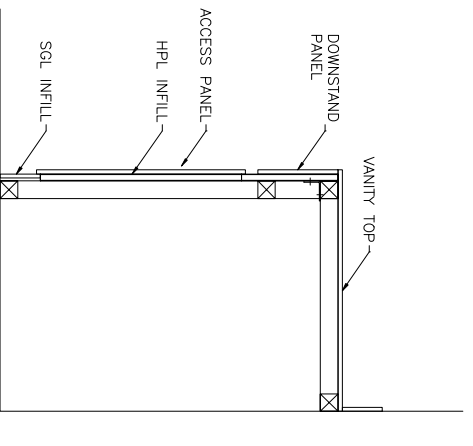


STAGE 3:-
FOR THE 3-PIECE VANITY TOP ATTACH VANITY TOP AND SIDE
PANELS TO THE TIMBER FRAME, ATTACH THE UP-STAND TO
THE WALL AND THE DOWN-STAND TO THE HPL USING KIT
90.50.00070.
FOR THE POST-FORMED VANITY TOP ATTACH THE TOP TO THE
FRAME USING KIT 90.50.00070.
ATTACH THE MALE PART CLIP ONTO THE ACCESS PANELS IN
LINE WITH THE FEMALE PART.
CLIP THE MALE AND FEMALE PARTS TOGETHER

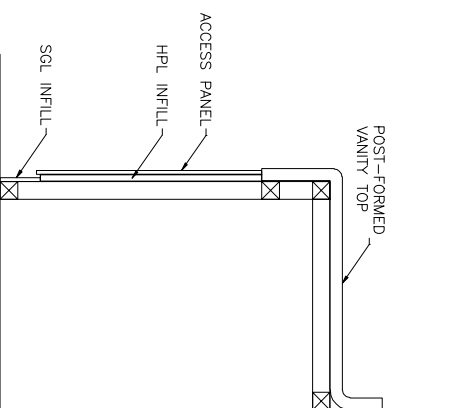
PN: = PANEL NUMBER
REFER TO PROJECT
DRAWINGS. THIS
STICKER WILL BE ON
ALL 10mm PANELS
FOR YOUR PROJECT



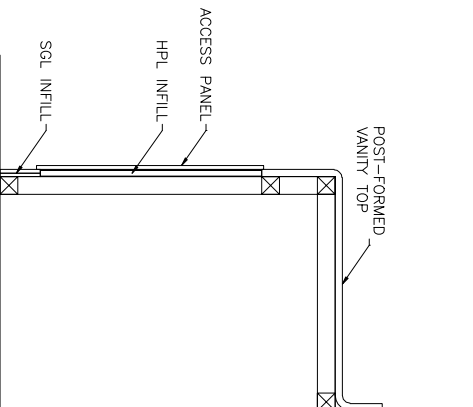
3-PIECE FLAT
VANITY TOP



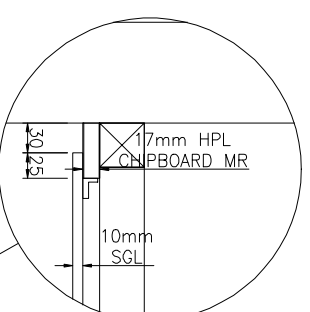
SGL POST-FORMED
VANITY TOP



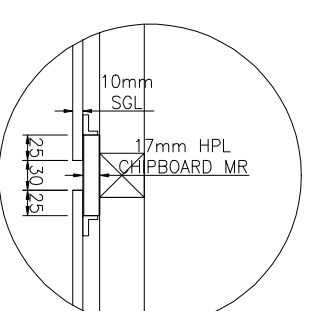
HPL POST-FORMED
VANITY TOP



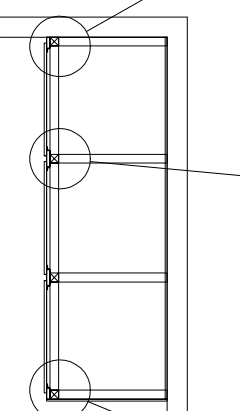
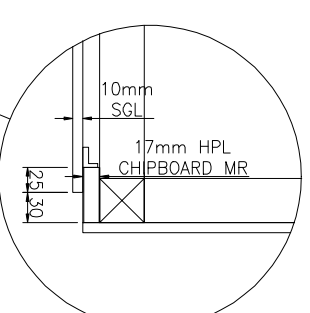
VANITY INFILL
TO:- WALL



VANITY INFILL
TO:- CENTRAL



VANITY INFILL
TO:- RETURN



Canklow Meadows Estate, West Bonyry Road,
Rotherham, S60 2XL, England
Tel: 08000 224468
Fax: +44 (0)1709 375239
www.prospectdirect.co.uk



This drawing is confidential and the property of Prospect Limited and should not be disclosed publicly without the prior permission of Prospect Limited. The obligation to keep the information in this drawing confidential extends until such time as the information falls into the public domain by publication made by or with permission of Prospect Limited.

Approved for Manufacture :
Date :
Spend :
Title :
Revision :
Project No :
VANITY UNIT INSTALLATION DETAILS
Drawing Title :

Drawn By : DAN GREEN
Checked By :
Scale :
Material Status :
N.I.S. Approval :
A1

Sheet :
Drawing Status :
Approved :
Sheet No. : 1 of 1
Contract No. :